



# PACIFIC PLAY TENTS, INC.

## Train Station

Item #30650

Thank you for purchasing The Train Station Play House. This Train Station has been manufactured with fun and ease of use in mind. Following the instructions and getting your child to help set it up can be a fun and rewarding experience. Our products are designed to give you care free use and hours of creative fun, time and time again.

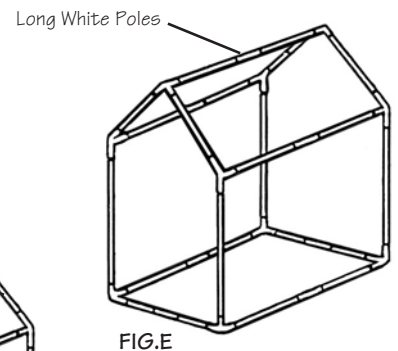
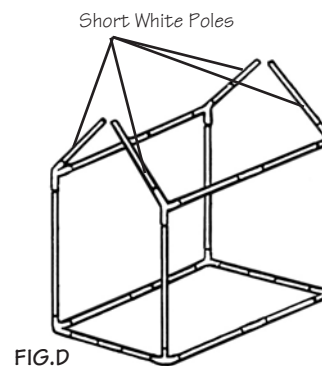
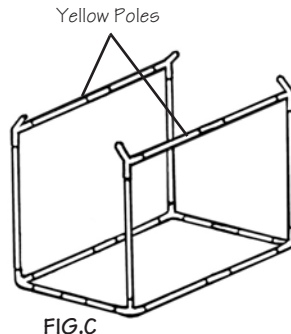
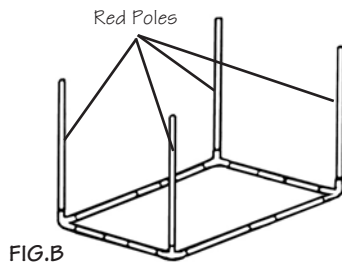
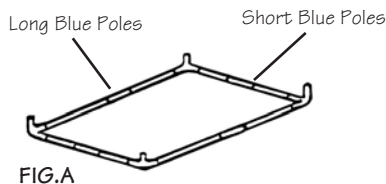
### Let's get started!

**PLEASE READ ALL OF THE DIRECTIONS PRIOR TO ASSEMBLY. DO NOT APPLY EXCESS FORCE TO THE POLES DURING ASSEMBLY.**

### Parts List

- |                      |                          |
|----------------------|--------------------------|
| 2 - Long Blue Poles  | 1 - Long white Pole      |
| 2 - Short Blue Poles | 4 - Short White Poles    |
| 4 - Red Poles        | 1 - Nylon Playhouse Body |
| 2 - Yellow Poles     |                          |

- 1 Assemble the Frame completely BEFORE placing the tent Body on the frame.
- 2 Assemble all of the segments of the shock corded poles.
- 3 Using the 2 Long Blue Poles and the 2 Short Blue Poles, Press the poles into the corner fittings to make a rectangular base. (Fig. A)
- 4 Press the 4 Red Poles into the Upright slots of the corner connectors on the rectangular Base. (Fig. B)
- 5 Attach the Yellow Poles to the tops of the Red Poles. (Fig. C)
- 6 Insert the 4 short White Poles into the Receptacles on the Yellow Poles. (Fig. D)
- 7 Attach the Long White Pole to the 4 Short White Poles using the attached connectors. (Fig. E)
- 8 Slide the material of tent OVER the assembled frame.
- 9 Flip the tent on it's side and the slide the bottom corners of the frame into the pockets on the tent body.



# Train Station

Item #30650

## Care Instructions

- ✎ For Light Dirt and Stains, surface wash only with warm water and light detergent and allow to AIR DRY ONLY.
- ✎ Never Store Wet. Store in a cool dry location.

## Additional Tips

- ✎ Direct Sunlight for Extended periods of time can degrade the material (Extended time being DAYS).
- ✎ Keep tent away from heat source or open flame.

Enjoy Your Train Station ... Fun Anytime Anywhere!

