



PACIFIC PLAY TENTS, INC.

“Day at the Beach” Tent & Tunnel Combo

Item #30710

Thank you for purchasing “Day at the Beach” Tent & Tunnel Combo. Play Tent & Tunnel has been manufactured with fun and ease of use in mind. Following the instructions and getting your child to help set it up can be a fun and rewarding experience. Our products are designed to give you care free use and hours of creative fun, time and time again.

Let's get started!

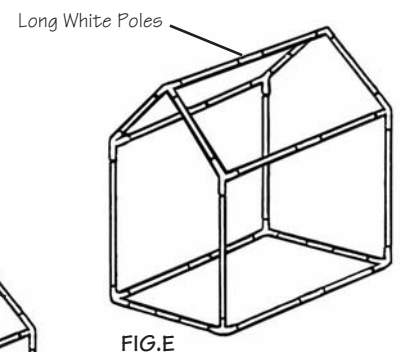
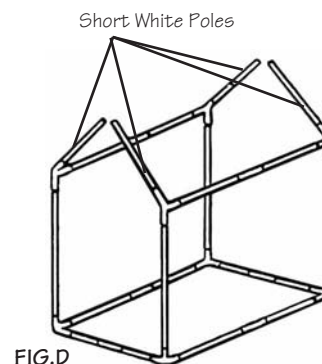
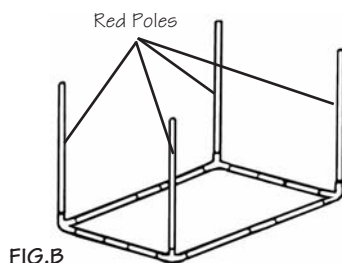
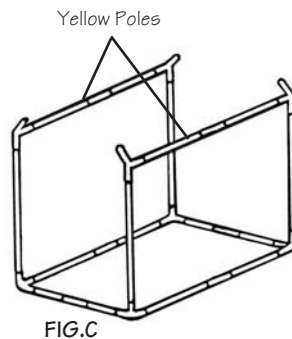
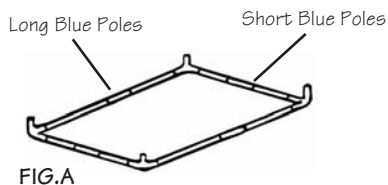
PLEASE READ ALL OF THE DIRECTIONS PRIOR TO ASSEMBLY. DO NOT APPLY EXCESS FORCE TO THE POLES DURING ASSEMBLY.

Parts List

2 - Long Blue Poles w/ corner joints attached
2 - Short Blue Poles w/ corner joints attached
4 - Red Poles
2 - Yellow Poles w/ corner joints attached

1 - Long white Pole w/ corner joints attached
4 - Short White Poles
1 - Nylon Playhouse Body

- 1 Assemble the Frame completely BEFORE placing the tent Body on the frame.
- 2 Assemble all of the segments of the shock corded poles.
- 3 Using the 2 Long Blue Poles and the 2 Short Blue Poles, Press the poles into the corner fittings to make a rectangular base. (Fig. A)
- 4 Press the 4 Red Poles into the Upright slots of the corner connectors on the rectangular Base. (Fig. B)
- 5 Attach the Yellow Poles to the tops of the Red Poles. (Fig. C)
- 6 Insert the 4 short White Poles into the Receptacles on the Yellow Poles. (Fig. D)
- 7 Attach the Long White Pole to the 4 Short White Poles using the attached connectors. (Fig. E)
- 8 Slide the material of tent OVER the assembled frame.
- 9 Flip the tent on it's side and the slide the bottom corners of the frame into the pockets on the tent body.



“Day at the Beach” Tent & Tunnel Combo

Item #30710

Play Tunnel Set-Up...

1. First undo the velcro stays that hold the tunnel in the collapsed position. The tunnel will open up automatically, as it is basically one large spring.
2. Insert the Tunnel into the hole (the diameter of the tunnel will appear to be larger than the diameter of the hole). You are right. It is. However, the tunnel is made to fit snug and will go in quite easily.

Care Instructions

- ✎ For Light Dirt and Stains, surface wash only with warm water and light detergent and allow to AIR DRY ONLY.
- ✎ Never Store Wet. Store in a cool dry location.

Additional Tips

- ✎ Direct Sunlight for Extended periods of time can degrade the material (Extended time being DAYS).
- ✎ Keep tent away from heat source or open flame.

Enjoy Your Play Tent & Tunnel ... Fun Anytime Anywhere!

